

EFI Hardware  
4 Cylinder Carburetor Air Box  
P/N 835-033

Drawing Revision 1 - 15/9/2016



[www.youtube.com/efihardware](http://www.youtube.com/efihardware)



[www.facebook.com/efihardware](http://www.facebook.com/efihardware)



[www.efihardware.com](http://www.efihardware.com)



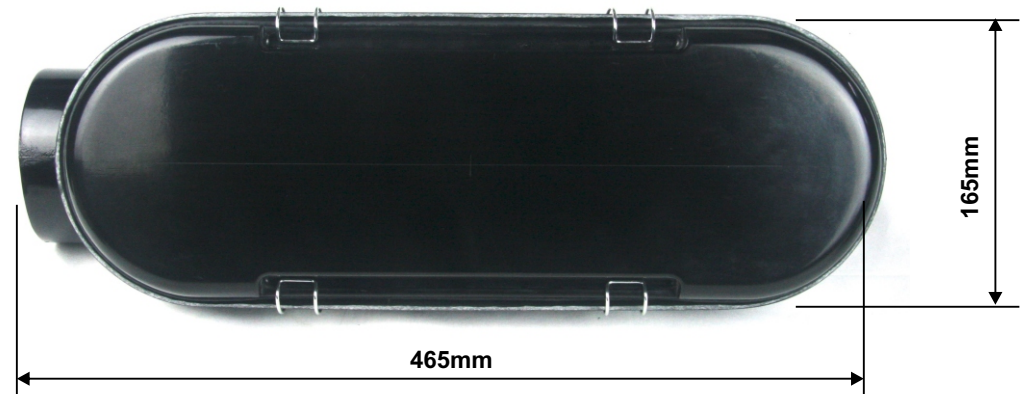
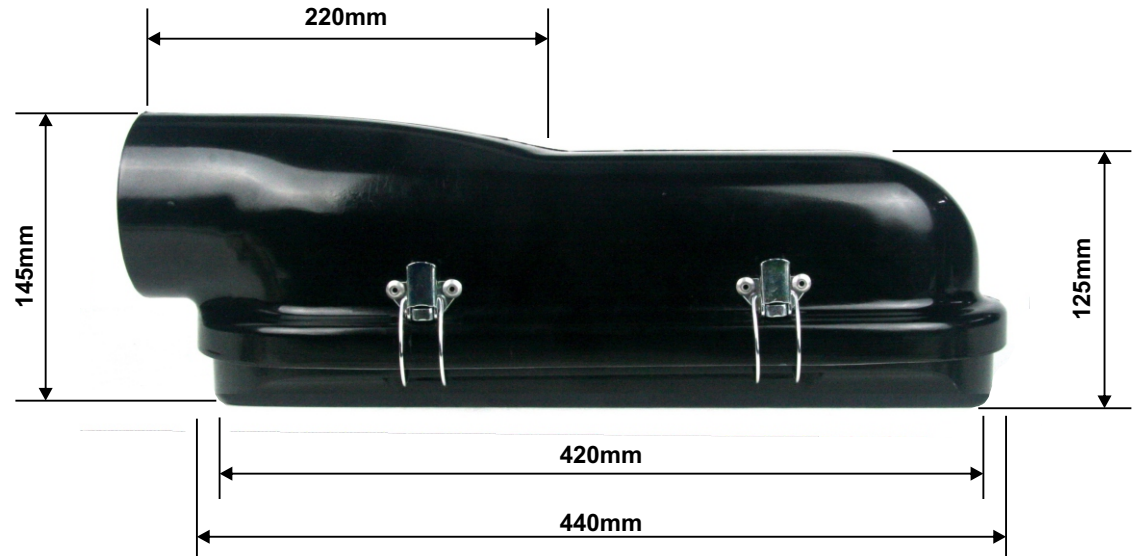
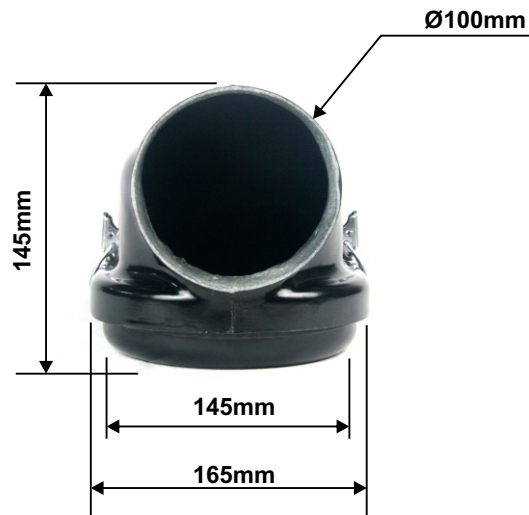
[info@efihardware.com](mailto:info@efihardware.com)



(03) 9873 5400  
+613 9873 5400



(03) 9873 5955  
+613 9873 5955



**NOTES:**

This Air Box is specifically designed for 4 Cylinder Multi Carburetted Engines.

The base is as short as possible to allow clearance for your other engine bay components such as brake booster and strut towers.