



825-000L EFI Hardware Fuel Rail Extrusion Specification

Drawing Revision 1 - 27/10/2016



www.youtube.com/efihardware



www.facebook.com/efihardware



www.efihardware.com



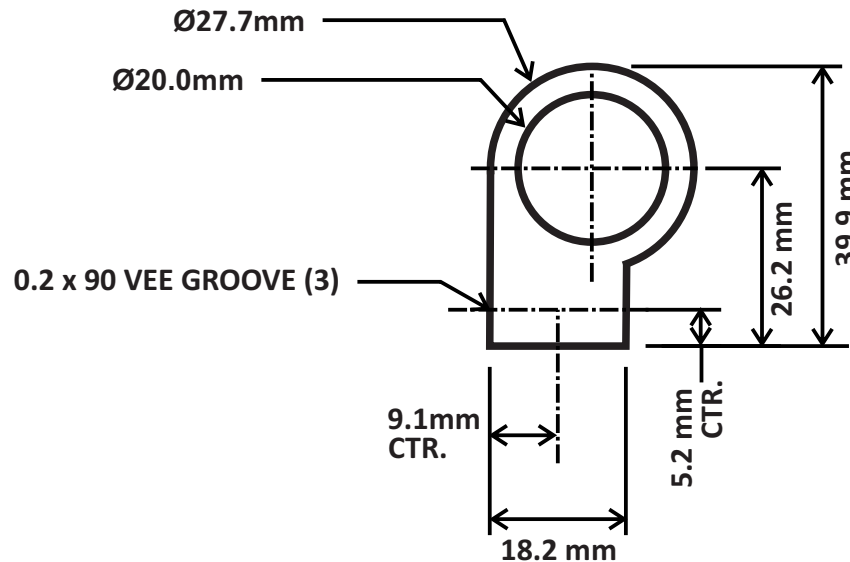
info@efihardware.com



(03) 9873 5400
+613 9873 5400



(03) 9873 5955
+613 9873 5955



Fuel Rail Part Number: 825-000L
6061 T6 Grade Aluminium

NOTE:

Vee Grooves enable accurate drilling of injector ports and mounting bracket holes.

Fuel Rail Extrusion can be cut to any length.

Bulk orders may be eligible for a volume discount.

EFI Hardware Mobile Apps



www.efihardware.com/apps.php