



EFI Hardware
Closed Junction Block
P/N CWA-JB-LB&R

Drawing Revision 1 - 18/2/2020



www.youtube.com/efihardware



www.facebook.com/efihardware



www.efihardware.com



info@efihardware.com



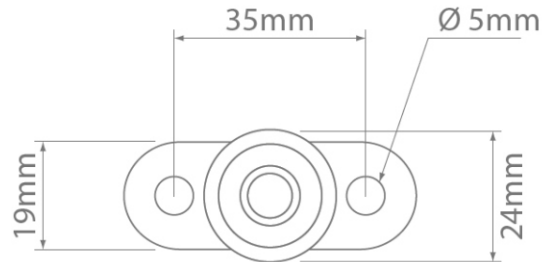
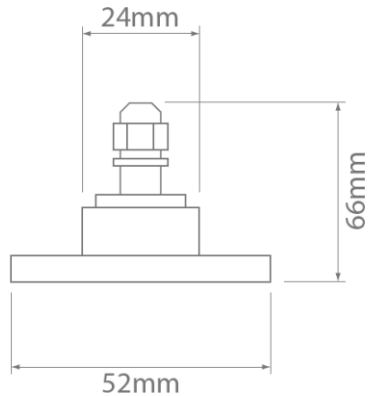
(03) 9873 5400

+613 9873 5400



(03) 9873 5955

+613 9873 5955



NOTES:

Great way of providing ground and power distribution point in engine bays where batteries have been relocated, or a common ground in a fibreglass chassis

Current Rating (A):

3/8 UNC Stud : 250