



EFI Hardware - Bulkhead Through Stud

P/N CWA-BH-MB, CWA-BH-MR,
CWA-BH-LB, CWA-BH-LR

Drawing Revision 2 - 17/2/2021



www.youtube.com/efihardware



www.facebook.com/efihardware



www.efihardware.com



info@efihardware.com



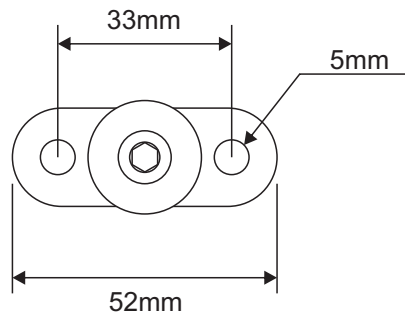
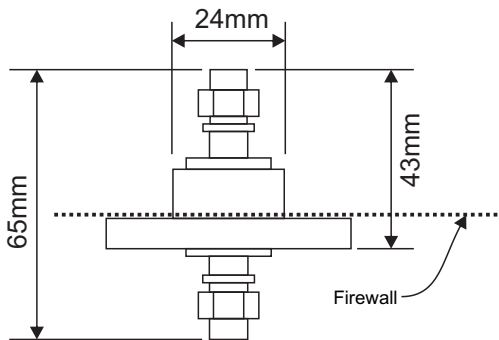
(03) 9873 5400

+613 9873 5400



(03) 9873 5955

+613 9873 5955



CWA-BH-MB = Black with 5/16" UNC Stud with 200A Current Rating

CWA-BH-MR = Red with 5/16" UNC Stud with 200A Current Rating

CWA-BH-LB = Black with 3/8" UNC Stud with 250A Current Rating

CWA-BH-LR = Red with 3/8" UNC Stud with 250A Current Rating

NOTES:

Bulkhead through stud allows safe insulated power transfer through firewalls and bulkheads.