

EFI Hardware IDA Throttle Body  
Part # 801-045/050/055  
Technical Diagram

Drawing Revision 2 - 29/5/2017



www.youtube.com/efihardware



www.facebook.com/efihardware



www.efihardware.com



info@efihardware.com

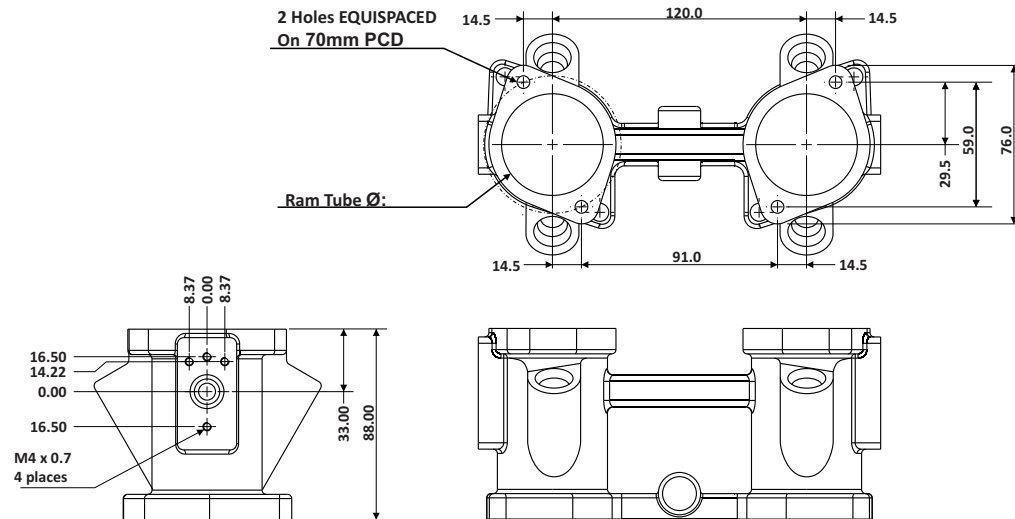


(03) 9873 5400  
+613 9873 5400



(03) 9873 5955  
+613 9873 5955

RAM-TUBE/AIR-BOX FLANGE FACE



NOTES:

Standard Weber IDA Mounting Flange Pattern is used.

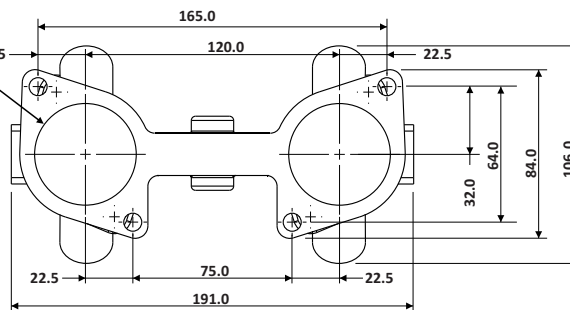
Throttle Ø:

- 801-045 45mm Ram Tube, Butterfly, Manifold
- 801-050 50mm Ram Tube, Butterfly, Manifold
- 801-055 55mm Ram Tube, Butterfly, Manifold

801-253 55/53/50 Tapered Bore Pro Race

Ram Tube Mounting Holes PCD: 70mm

Each IDA Throttle Body has 2 Injector Bosses per Butterfly.



INTAKE MANIFOLD FLANGE FACE

NOTE: Each IDA Throttle Body has 2 Injector Bosses per Butterfly.

EFI Hardware Mobile Apps



www.efihardware.com/apps.php