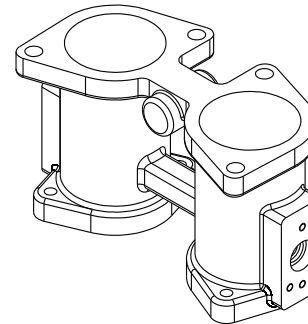
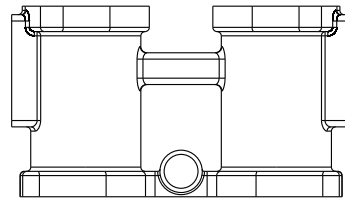
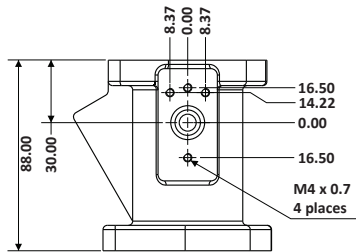


**RAM-TUBE/AIR-BOX FLANGE FACE**



**NOTES:**

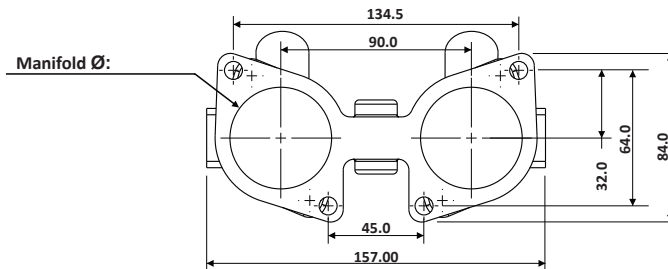
Standard Weber IDF Mounting Flange Pattern is used.

**Throttle Ø:**

- 800-540 40mm Ram Tube, Butterfly, Manifold
- 800-545 45mm Ram Tube, Butterfly, Manifold
- 800-548 48mm Ram Tube, Butterfly, Manifold
- 800-550 50mm Ram Tube, Butterfly, Manifold

Ram Tube PCD: 65mm

Injector Bosses on the opposite side of throttle body compared to IDF Type II with part numbers 800-848 and 800-750



**INTAKE MANIFOLD FLANGE FACE**

**NOTE: Injector Bosses on opposite side of throttle body compared to IDF Type II with part numbers 800-848, 800-750**

**EFI Hardware Mobile Apps**



[www.efihardware.com/apps.php](http://www.efihardware.com/apps.php)