



**EFI Hardware IDF TYPE II Throttle Body
Part # 800-848/800-750
Technical Diagram**

Drawing Revision 1 - 28/5/2013



www.youtube.com/efihardware



www.facebook.com/efihardware



www.efihardware.com



info@efihardware.com

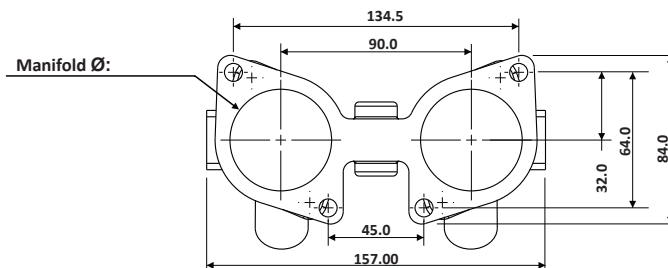
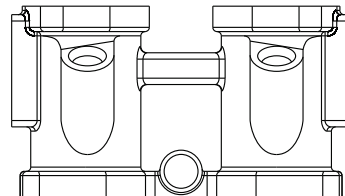
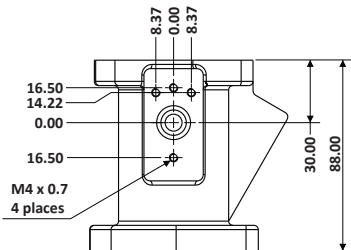
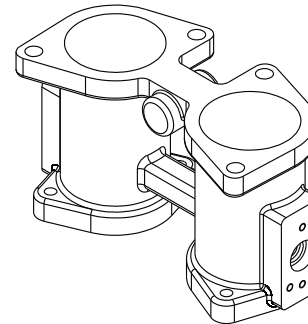
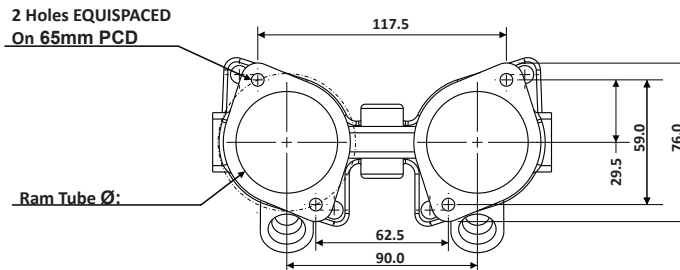


(03) 9873 5400
+613 9873 5400



(03) 9873 5955
+613 9873 5955

RAM-TUBE/AIR-BOX FLANGE FACE



INTAKE MANIFOLD FLANGE FACE

NOTES:

Standard Weber IDF Mounting Flange Pattern is used.

Throttle Ø:

800-848 50/48/45 Tapered Bore Pro Race
800-750 50mm Ram Tube, Butterfly, Manifold

Ram Tube Mounting Holes PCD: 65mm

Injector Bosses on opposite side of throttle body compared to IDF Type I with part numbers 800-540, 800-545, 800-548 and 800-550.

NOTE: Injector Bosses on opposite side of throttle body compared to IDF Type I with part numbers 800-540, 800-545, 800-548, 800-550

EFI Hardware Mobile Apps



www.efihardware.com/apps.php