

# EFI Hardware Fuel Rail Extrusion Specification

Drawing Revision 1 - 5/8/2013



[www.youtube.com/efihardware](http://www.youtube.com/efihardware)



[www.facebook.com/efihardware](http://www.facebook.com/efihardware)



[www.efihardware.com](http://www.efihardware.com)



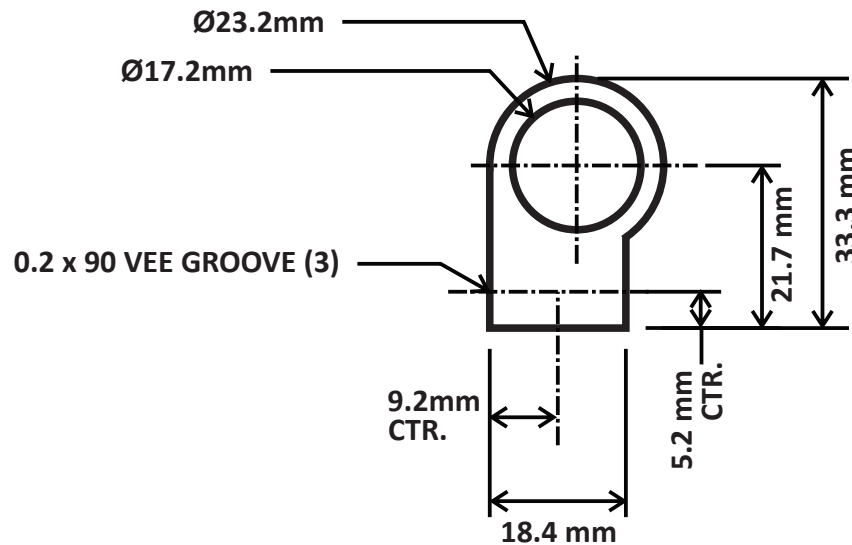
[info@efihardware.com](mailto:info@efihardware.com)



(03) 9873 5400  
+613 9873 5400



(03) 9873 5955  
+613 9873 5955



Fuel Rail Part Number: 825-000  
6061 T6 Grade Aluminium

## NOTE:

Vee Grooves enable accurate drilling of injector ports and mounting bracket holes.

Fuel Rail Extrusion can be cut to any length.

Bulk orders may be eligible for a volume discount.

EFI Hardware Mobile Apps



[www.efihardware.com/apps.php](http://www.efihardware.com/apps.php)