

HALL Sensor Wiring Diagram

Part Number: H-HALLA

Connector Part Number: H-MODC4

Drawing Revision 1 - 30/9/2013



www.youtube.com/efihardware



www.facebook.com/efihardware



www.efihardware.com



info@efihardware.com



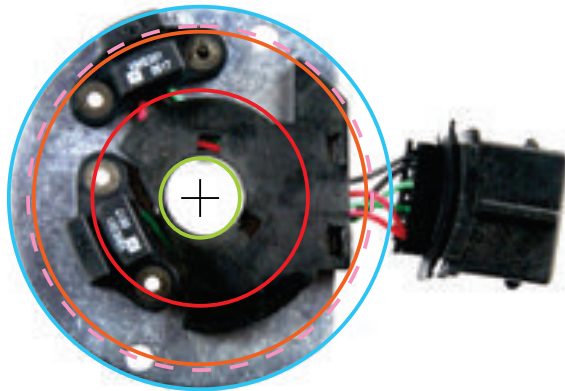
(03) 9873 5400

+613 9873 5400



(03) 9873 5955

+613 9873 5955



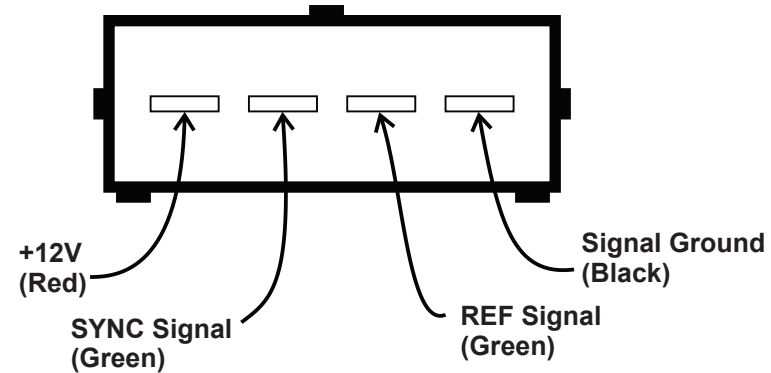
- Base Plate Dia - 74.1mm
- Mounting Holes - 4.5mm
- Mounting Holes PCD - 66mm
- Center Hole Dia - 14.3mm
- Outside Sensor PCD - 64.4mm
- Inside Sensor PCD - 41.7mm

ECU TRIGGER SETTINGS:

REF Signal is at 80° BTDC (Falling Edge)

SYNC Signal is at approx 30° BTDC (Rising Edge)

MALE PIN VIEW Looking Into Sensor Plug



EFI Hardware Mobile Apps



www.efihardware.com/apps.php